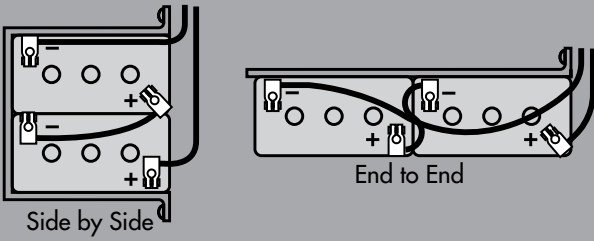
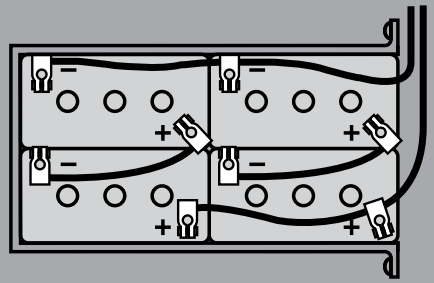
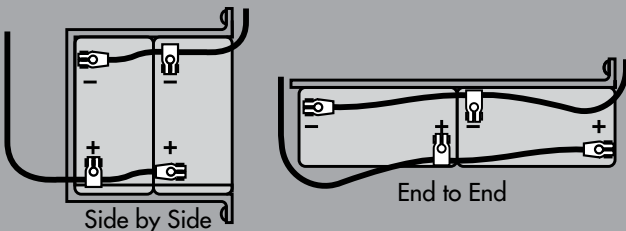
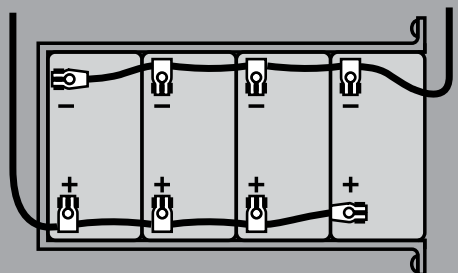


# BATTERY CONNECTIONS

## 6-Volt Batteries

| Two 6v Batteries = 12v System   |             |            | Four 6v Batteries = 12v System   |             |            |
|---|-------------|------------|--|-------------|------------|
|  <p>Side by Side</p> <p>End to End</p> |             |            |  |             |            |
| <b>Series Connection</b>  |             |            | <b>Series/Parallel Connection</b>  |             |            |
|   | Per Battery | Per System |  | Per Battery | Per System |
| CCA   | 600         | 600        | CCA  | 600         | 1200       |
| RC Minutes  | 225         | 225        | RC Minutes   | 225         | 450        |

## 12-Volt Batteries

| Two 12v Batteries = 12v System  |             |            | Four 12v Batteries = 12v System  |             |            |
|---|-------------|------------|--|-------------|------------|
|  <p>Side by Side</p> <p>End to End</p> |             |            |  |             |            |
| <b>Parallel Connection</b>  |             |            | <b>Parallel Connection</b>   |             |            |
|   | Per Battery | Per System |  | Per Battery | Per System |
| CCA   | 700         | 1400       | CCA  | 700         | 2800       |
| RC Minutes  | 190         | 380        | RC Minutes   | 190         | 760        |

CCA (Cold Cranking Amps) – Cranking power for 30 seconds at 0°F.  
 RC (Reserve Capacity) – Minutes of 25 amp output at 80°F.

